

PARTS LIST

[XV-S62SL]

* All printed circuit boards and its assemblies are not available as service parts.

Area Suffix

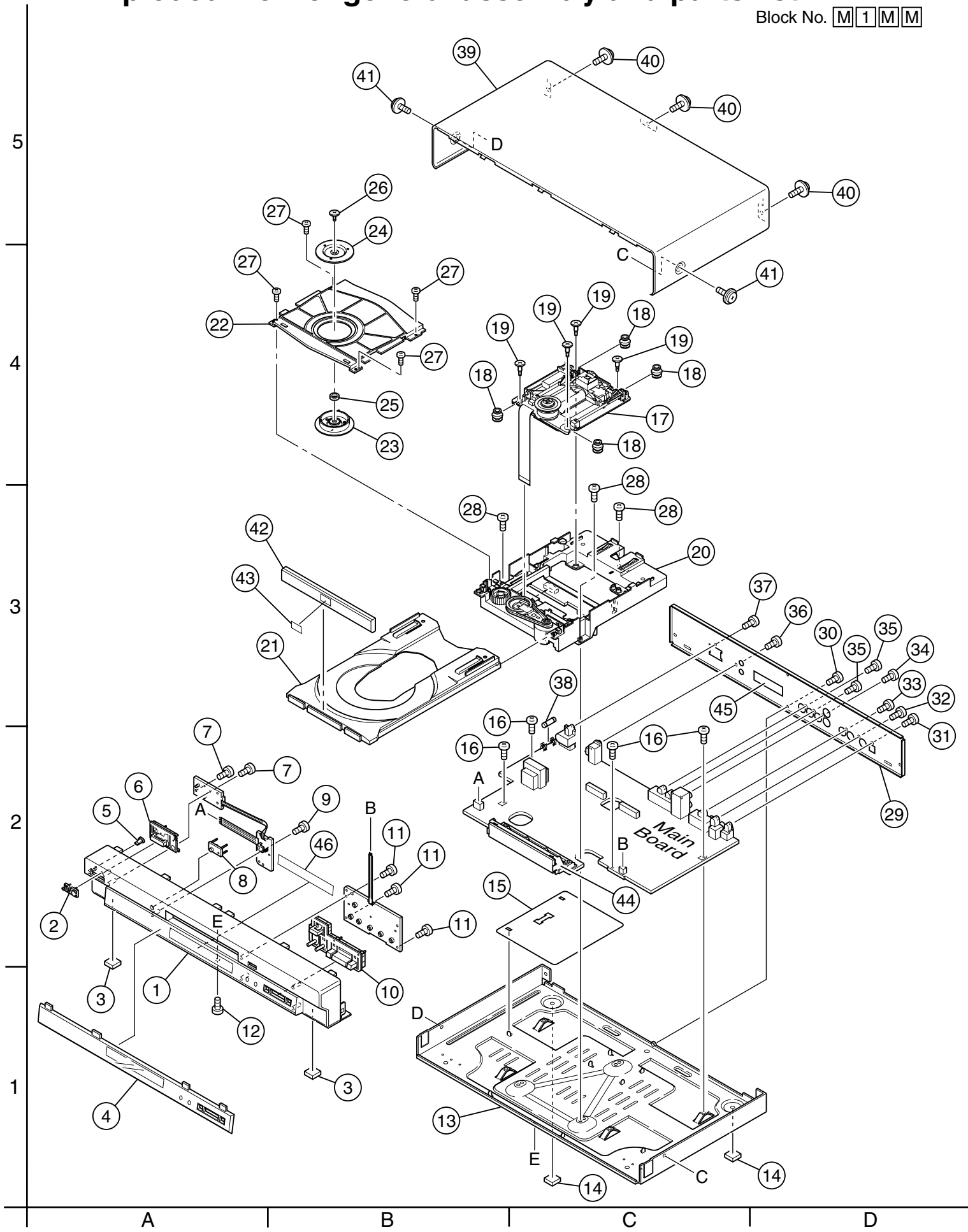
US	-----	Singapore
UF	-----	China
UB	-----	Hong Kong

- Contents -

Exploded view of general assembly and parts list	-----	3-2
DVD Traverse mechanism assembly and parts list	-----	3-4
DVD Loading mechanism assembly and parts list	-----	3-6
Electrical parts list	-----	3-8
Packing materials and accessories parts list	-----	3-15

Exploded view of general assembly and parts list

Block No. M1MM



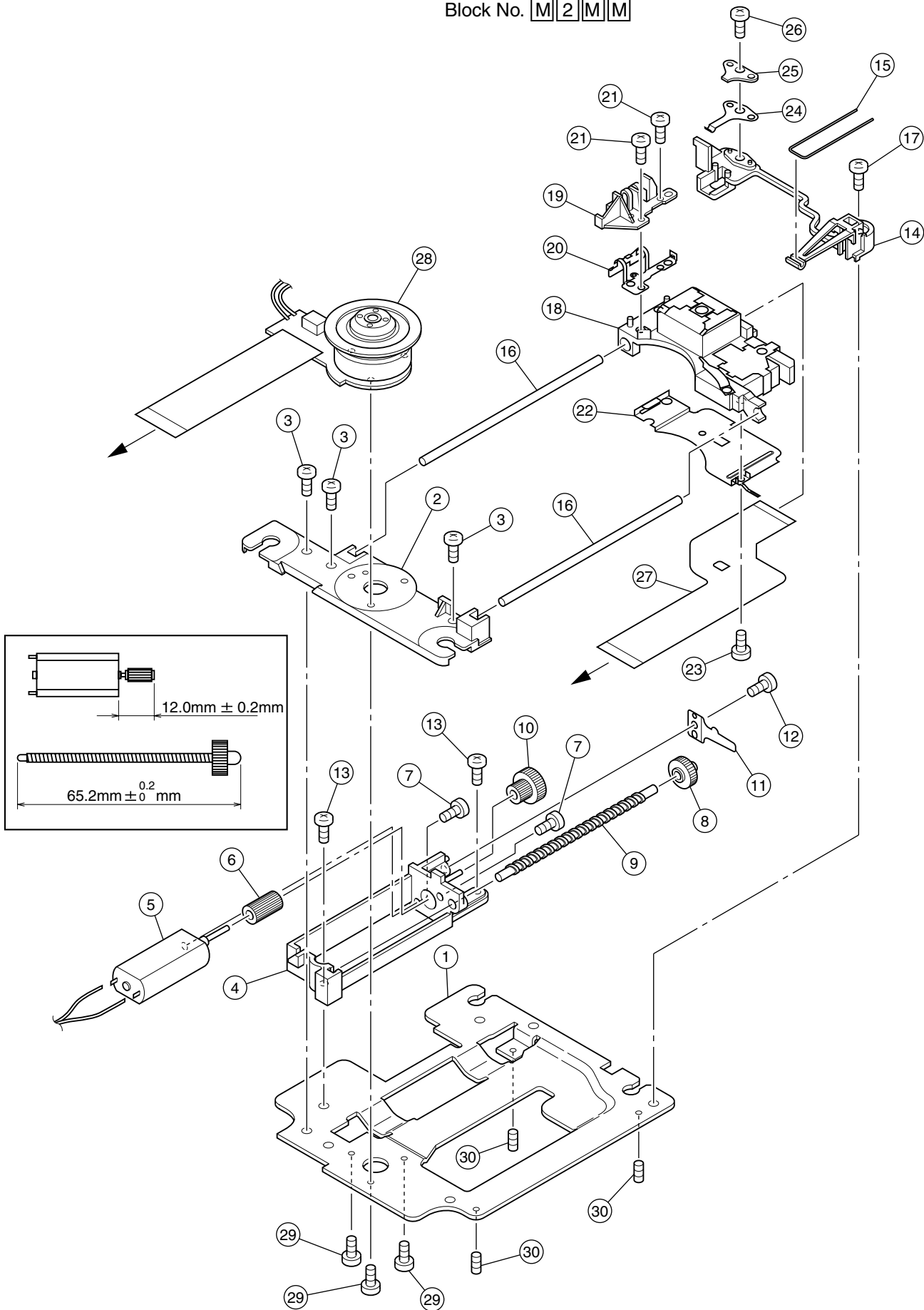
Parts list (General assembly)

Block No. M1MM

⚠	Item	Parts number	Parts name	Q'ty	Description	Area
	01	LE10251-014A	FRONT PANEL	1		
	02	VJD5429-002SS	JVC MARK	1		
	03	LE40798-001A	SPACER	2	FRONT FOOT	
	04	LE20535-022A	WINDOW SCREEN	1		
	05	LE30900-001A	INDICATOR	1	POWER	
	06	LE20537-002A	PUSH BUTTON	1	POWER	
	07	QYSBSF2608Z	T.SCREW	2	POWER SITCH	
	08	LE30899-002A	REMOTE LENS	1		
	09	QYSBSF2608Z	T.SCREW	1	REMOTE CB	
	10	LE20538-002A	PUSH BUTTON	1	PLAY	
	11	QYSBSF2608Z	T.SCREW	3	PLAY SWITCH	
	12	QYSDSG3008N	T.SCREW	1	FRONT PANEL + CHASSIS	
	13	LE10250-002A	CHASSIS BASE	1		
	14	LE40798-001A	SPACER	2	REAR FOOT	
	15	LE40768-003A	PROTECT SHEET	1		
	16	QYSBSGG3008E	T.SCREW	4	MAIN CB + CHASSIS	
	17	-----	TRAVERSE MECHA	1	See 3-4 page	
	18	LV41659-201A	INSULATOR	4		
	19	LV41424-001A	SPECIAL SCREW	4	FOR INSULATOR	
	20	-----	1DISC LAODING B	1	See 3-6 page	
	21	LV10582-001A	TRAY LONG TYPE	1		
	22	LV20913-002A	CLAMPER BASE	1		
	23	LV32417-001A	CLAMPER	1		
	24	LV42089-001A	YOKE	1		
	25	LV41118-003A	MAGNET	1		
	26	LV41741-001A	SPECIAL SCREW	1	FOR YOKE	
	27	QYSBSF2008Z	SCREW	4	FOR CLAMPER	
	28	QYSBSG3010E	T.SCREW	3	MECHA + CHASSIS	
	29	LE20542-041A	REAR PANEL	1		UB,US
		LE20542-039A	REAR PANEL	1		UF
	30	QYSBSGY3008M	SPECIAL SCREW	1	REAR + CHASSIS	
	31	QYSBSGY3008M	SPECIAL SCREW	1	OPTICAL OUT	
	32	QYSBSGY3008M	SPECIAL SCREW	1	COAXIAL	
	33	QYSBSGY3008M	SPECIAL SCREW	1	AUDIO OUT	
	34	QYSBSGY3008M	SPECIAL SCREW	1	VIDEO OUT	
	35	QYSBSGY3008M	SPECIAL SCREW	2	COMPONENT	
	36	QYSBSGY3008M	SPECIAL SCREW	1	COMPULINK	
	37	QYSBSGY3008M	SPECIAL SCREW	1	AC INLET	
⚠	38	QMF51E2-1R6-J1	FUSE	1		
	39	LE20541-002A/S/	METAL COVER	1		
	40	QYSBSGG3008E	T.SCREW	3	REAR OF METAL COVER	
	41	E406308-004	SPECIAL SCREW	2	SIDE OF METAL COVER	
	42	LE20536-010A	FITTING	1		
	43	LE40757-002A	MARK	1	FOR FITTING	
	44	LE20540-001A	FL HOLDER	1		
	45	LV41843-001A	LASER CAUTION	1		
	46	LE40759-001A	FL SCREEN	1		

DVD Traverse mechanism assembly and parts list

Block No. **M****2****M****M**



Parts list (DVD Traverse mechanism assembly)

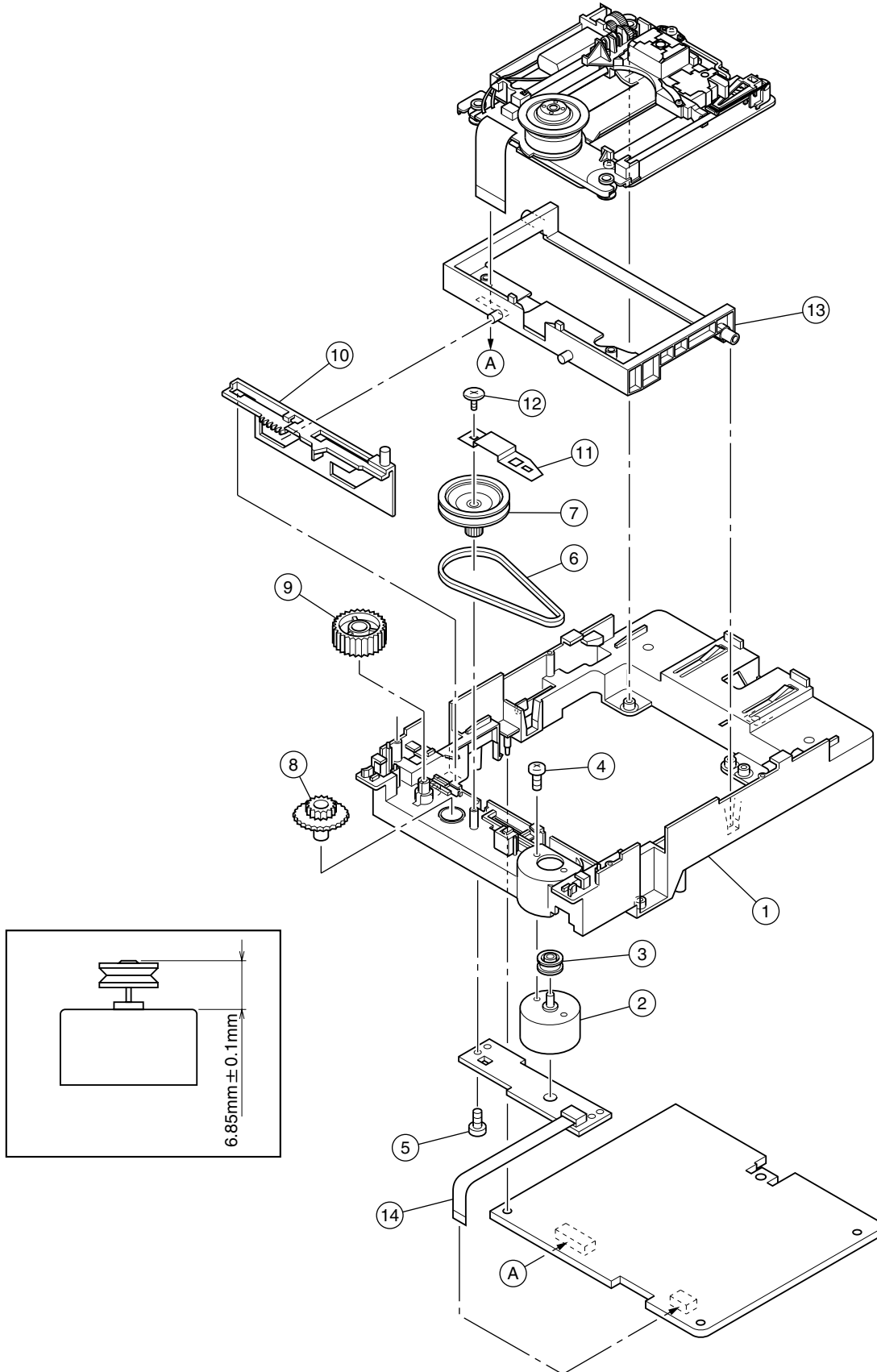
Block No. M2MM

⚠	Item	Parts number	Parts name	Q'ty	Description	Area
	1	LE20520-002A	MECHA BASE	1		
	2	LE20516-001A	SPINDLE BASE	1		
	3	QYSDST2605M	TAPPING SCREW	3		
	4	LE30909-001A	HOLDER	1		
	5	QAR0165-001	FEED MOTOR	1		
	6	LV41510-001A	FEED GEAR	1		
	7	QYSPSPU2040M	SCREW	2		
	8	LV41512-001A	FEED GEAR	1		
	9	LV41517-001A	LEAD SCREW	1		
	10	LV41511-002A	FEED GEAR	1		
	11	LE40742-001A	TORSION SPRING	1		
	12	QYSDSF2005Z	SCREW	1		
	13	QYSDST2605M	TAPPING SCREW	2		
	14	LE20517-001A	HOLDER	1		
	15	LE40744-001A	SPRING	1		
	16	LV41121-002A	SLIDE SHAFT	2		
	17	QYSDST2605M	TAPPING SCREW	1		
	18	QAL0279-001	OPTICAL PICK-UP	1		
	19	LE20519-001A	ACTUATOR	1		
	20	LE30886-001A	SPRING	1		
	21	QYSPSPU1740Z	SCREW	2		
	22	LE30888-003A	SPRING	1		
	23	QYSPSPU1420Z	SCREW	1		
	24	LE40743-001A	SPRING	1		
	25	LE40774-001A	PLATE	1		
	26	QYSDST2606Z	SCREW	1		
	27	QAL0284-001	F.P.C.WIRE ASSY	1		
	28	QAR0162-001	DC MOTOR	1		
	29	QYSPSPU1760Z	SCREW	3		
	30	QYYASPF2608N	SCREW	3		

DVD Loading mechanism assembly and parts list

Block No.

M	3	M	M
---	---	---	---



Parts list (DVD Loading mechanism assembly)

Block No. M3MM

△	Item	Parts number	Parts name	Q'ty	Description	Area
	1	LV10454-007A	LOADING BASE	1		
	2	QAR0164-001	MOTOR	1		
	3	LV42087-001A	MOTOR PULLEY	1		
	4	QYSPSPU1730Z	SCREW	1		
	5	VKZ4777-003	MINI SCREW	1		
	6	LV42209-001A	BELT	1		
	7	LV42084-002A	PULLEYGEAR	1		
	8	LV42085-002A	MIDDLE GEAR	1		
	9	LV42086-001A	IDLE GEAR	1		
	10	LV32514-002A	SLIDE CAM	1		
	11	LV42348-001A	GEAR BRACKET	1		
	12	VKZ4777-003	SCREW	1		
	13	LV20912-002A	ELEVATOR	1		
	14	QUQ110-0610AJ	FFC WIRE	1		

Electrical parts list (Loading motor board)

Block No. 03

△	Item	Parts number	Parts name	Remarks	Area
	CN 1	QGF1016F3-06	CONNECTOR		
	S 1	QSW0910-002	SWITCH		
	S 2	QSW0910-002	SWITCH		

■ Electrical parts list (DVD Servo control board)

Block No. 01

△	Item	Parts number	Parts name	Remarks	Area
	C 101	NCB31CK-104X	C CAPACITOR		
	C 104	NCB31CK-104X	C CAPACITOR		
	C 105	NEA70JM-476X	E.CAPACITOR		
	C 106	NEA70JM-476X	E.CAPACITOR		
	C 107	NCB31CK-104X	C CAPACITOR		
	C 108	NCB31CK-104X	C CAPACITOR		
	C 109	NCB31CK-104X	C CAPACITOR		
	C 118	NCB21CK-154X	C.CAPA. C.M		
	C 119	NCS31HJ-221X	C.CAPA. C.M		
	C 120	NCS31HJ-820X	C CAPACITOR		
	C 121	NCS31HJ-220X	C CAPACITOR		
	C 122	NCB31HK-181X	C CAPACITOR		
	C 123	NCB31CK-104X	C CAPACITOR		
	C 124	NCB31CK-104X	C CAPACITOR		
	C 125	NCB31CK-104X	C CAPACITOR		
	C 126	NEA70JM-107X	E.CAPACITOR		
	C 127	NCB31HK-102X	C CAPACITOR		
	C 128	NCB31CK-104X	C CAPACITOR		
	C 130	NCB31CK-104X	C CAPACITOR		
	C 131	NCS31HJ-120X	C.CAPA. C.M		
	C 132	NCB31CK-104X	C CAPACITOR		
	C 133	NCB31HK-561X	C CAPACITOR		
	C 134	NCB31HK-561X	C CAPACITOR		
	C 135	NCB31CK-273X	C CAPACITOR		
	C 136	NCB31CK-473X	C CAPACITOR		
	C 138	NCB31CK-104X	C CAPACITOR		
	C 139	NCB31CK-104X	C CAPACITOR		
	C 140	NEA70JM-226X	E CAPACITOR		
	C 141	NCB31CK-104X	C CAPACITOR		
	C 143	NCB31CK-104X	C CAPACITOR		
	C 144	NCB31CK-104X	C CAPACITOR		
	C 145	NCB31CK-103X	C CAPACITOR		
	C 151	NEA70JM-226X	E CAPACITOR		
	C 152	NEA70JM-226X	E CAPACITOR		
	C 159	NCB31CK-104X	C CAPACITOR		
	C 160	NCB31CK-104X	C CAPACITOR		
	C 161	NEA70GM-336X	E CAPACITOR		
	C 201	NCB11CK-474X	C.CAPA. C.M		
	C 202	NCB31HK-561X	C CAPACITOR		
	C 203	NCB31HK-561X	C CAPACITOR		
	C 204	NCB31HK-331X	C CAPACITOR		
	C 205	NCS31HJ-121X	C CAPACITOR		
	C 206	NCS31HJ-271X	C CAPACITOR		
	C 207	NCB31HK-471X	C CAPACITOR		
	C 208	NCB31CK-104X	C CAPACITOR		
	C 209	NCB31HK-102X	C CAPACITOR		
	C 210	NCB31HK-102X	C CAPACITOR		
	C 213	NCB31CK-104X	C CAPACITOR		
	C 214	NCB31CK-104X	C CAPACITOR		
	C 215	NEA70JM-336X	E CAPACITOR		
	C 216	NCB11CK-105X	C CAPACITOR		
	C 217	NEA70JM-107X	E.CAPACITOR		
	C 218	NCB31CK-104X	C CAPACITOR		
	C 219	NEA70JM-107X	E.CAPACITOR		
	C 220	NCB11CK-105X	C CAPACITOR		
	C 221	NCB31HK-561X	C CAPACITOR		
	C 222	NCB31CK-104X	C CAPACITOR		
	C 223	NCB31CK-104X	C CAPACITOR		
	C 224	NCB31CK-104X	C CAPACITOR		
	C 225	NBE91CM-105X	E CAPACITOR		
	C 227	NCB31HK-102X	C CAPACITOR		
	C 228	NCB31HK-102X	C CAPACITOR		
	C 229	NCB31CK-104X	C CAPACITOR		
	C 231	NCB31CK-103X	C CAPACITOR		
	C 232	NCB31HK-102X	C CAPACITOR		
	C 233	NCB31CK-104X	C CAPACITOR		

△	Item	Parts number	Parts name	Remarks	Area
	C 237	NCB31CK-104X	C CAPACITOR		
	C 238	NCB31CK-104X	C CAPACITOR		
	C 239	NCB31CK-183X	C CAPACITOR		
	C 240	NCS31HJ-101X	C.CAPA. C.M		
	C 241	NCB31CK-103X	C CAPACITOR		
	C 242	NCB11CK-105X	C CAPACITOR		
	C 244	NCB31CK-104X	C CAPACITOR		
	C 245	NCB31CK-103X	C CAPACITOR		
	C 246	NCB31CK-104X	C CAPACITOR		
	C 247	NCB31CK-104X	C CAPACITOR		
	C 248	NCB21CK-154X	C.CAPA. C.M		
	C 249	NCB31CK-223X	C CAPACITOR		
	C 251	NCB31CK-104X	C CAPACITOR		
	C 252	NEA71CM-226X	E.CAPAP. C.M		
	C 253	NCB31CK-104X	C CAPACITOR		
	C 254	NEA70JM-226X	E CAPACITOR		
	C 255	NCB31HK-223X	C CAPACITOR		
	C 256	NCB31CK-104X	C CAPACITOR		
	C 257	NCB31CK-103X	C CAPACITOR		
	C 258	NCB31CK-103X	C CAPACITOR		
	C 259	NCB31CK-103X	C CAPACITOR		
	C 260	NCB31CK-104X	C CAPACITOR		
	C 261	NCB31CK-104X	C CAPACITOR		
	C 262	NCB31CK-104X	C CAPACITOR		
	C 263	NCB31CK-104X	C CAPACITOR		
	C 264	NCB31CK-103X	C CAPACITOR		
	C 271	NEA70JM-226X	E CAPACITOR		
	C 273	NCB31CK-104X	C CAPACITOR		
	C 274	NCB31CK-104X	C CAPACITOR		
	C 275	NCB31HK-271X	C CAPACITOR		
	C 277	NCB31HK-102X	C CAPACITOR		
	C 278	NCB31HK-102X	C CAPACITOR		
	C 281	NCB31HK-223X	C CAPACITOR		
	C 282	NCB31CK-103X	C CAPACITOR		
	C 286	NEA71HM-105X	E.CAPA. C.M.		
	C 287	NCB31CK-104X	C CAPACITOR		
	C 288	NEA71HM-105X	E.CAPA. C.M.		
	C 301	NCB31CK-104X	C CAPACITOR		
	C 302	NCB31CK-104X	C CAPACITOR		
	C 303	NCB31CK-104X	C CAPACITOR		
	C 304	NCB31CK-104X	C CAPACITOR		
	C 305	NCB31CK-104X	C CAPACITOR		
	C 306	NCB31CK-104X	C CAPACITOR		
	C 307	NCB31CK-104X	C CAPACITOR		
	C 309	NCB31CK-104X	C CAPACITOR		
	C 310	NCB31CK-104X	C CAPACITOR		
	C 311	NCB31CK-104X	C CAPACITOR		
	C 312	NCS31HJ-180X	C CAPACITOR		
	C 313	NCS31HJ-180X	C CAPACITOR		
	C 314	NCB31CK-104X	C CAPACITOR		
	C 315	NCB31CK-104X	C CAPACITOR		
	C 316	NEA70GM-107X	E CAPACITOR		
	C 317	NCB11CK-105X	C CAPACITOR		
	C 318	NCB31CK-104X	C CAPACITOR		
	C 319	NCB31CK-104X	C CAPACITOR		
	C 320	NCB31CK-104X	C CAPACITOR		
	C 321	NCB31CK-104X	C CAPACITOR		
	C 324	NCB31CK-104X	C CAPACITOR		
	C 326	NCB31CK-104X	C CAPACITOR		
	C 327	NEA70GM-107X	E CAPACITOR		
	C 401	NCB31CK-104X	C CAPACITOR		
	C 402	NCB31CK-104X	C CAPACITOR		
	C 405	NCB31CK-104X	C CAPACITOR		
	C 406	NCB31CK-104X	C CAPACITOR		
	C 407	NCB31CK-104X	C CAPACITOR		
	C 408	NEA70JM-226X	E CAPACITOR		

■ Electrical parts list (DVD Servo control board)

Block No. 01

Item	Parts number	Parts name	Remarks	Area	Item	Parts number	Parts name	Remarks	Area
C 409	NCB31CK-104X	C CAPACITOR			C 905	NEA70JM-107X	E.CAPACITOR		
C 412	NCB31CK-104X	C CAPACITOR			C 906	NCB31CK-104X	C CAPACITOR		
C 501	NCB31CK-104X	C CAPACITOR			C 907	NEA70JM-107X	E.CAPACITOR		
C 502	NCB31CK-104X	C CAPACITOR			C 908	NCB31CK-104X	C CAPACITOR		
C 503	NCB31CK-104X	C CAPACITOR			C 911	NCB31CK-104X	C CAPACITOR		
C 504	NDC31HG-120X	C CAPACITOR			C 912	NCB31CK-104X	C CAPACITOR		
C 505	NDC31HG-130X	C CAPACITOR			C 913	NCB31CK-104X	C CAPACITOR		
C 509	NCB31CK-104X	C CAPACITOR			C 914	NCB31CK-104X	C CAPACITOR		
C 510	NCB31CK-104X	C CAPACITOR			C 915	NCB31CK-104X	C CAPACITOR		
C 511	NEA70JM-226X	E CAPACITOR			C 992	NCB31CK-104X	C CAPACITOR		
C 512	NCB31CK-104X	C CAPACITOR			C 993	NCB31CK-104X	C CAPACITOR		
C 513	NCB31CK-104X	C CAPACITOR			C 994	NCB31CK-104X	C CAPACITOR		
C 514	NCB31CK-104X	C CAPACITOR			C 995	NCB31CK-104X	C CAPACITOR		
C 515	NCB31CK-104X	C CAPACITOR			C 996	NCB31CK-104X	C CAPACITOR		
C 516	NCB31CK-104X	C CAPACITOR			C 997	NCB31CK-104X	C CAPACITOR		
C 517	NCB31CK-104X	C CAPACITOR			C 998	NCB31CK-104X	C CAPACITOR		
C 518	NCB31CK-104X	C CAPACITOR			C1000	NCB31CK-104X	C CAPACITOR		
C 519	NCB31CK-104X	C CAPACITOR			C1001	NCB31CK-104X	C CAPACITOR		
C 520	NCB31CK-104X	C CAPACITOR			C1002	NCB31CK-104X	C CAPACITOR		
C 523	NCB31CK-104X	C CAPACITOR			C1003	NCB31CK-104X	C CAPACITOR		
C 524	NEA70JM-226X	E CAPACITOR			C1004	NCB31CK-104X	C CAPACITOR		
C 525	NCB31CK-104X	C CAPACITOR			C1005	NCB31CK-104X	C CAPACITOR		
C 526	NCB31CK-104X	C CAPACITOR			C1006	NCB31CK-103X	C CAPACITOR		
C 527	NEA70JM-107X	E.CAPACITOR			CN101	QGF0501F2-30X	FC/FPC CONNE	PU	
C 528	NCB31CK-104X	C CAPACITOR			CN201	QGF1016F2-15W	CONNECTOR C.M	SP&STP	
C 529	NCB31CK-104X	C CAPACITOR			CN202	QGF1016F2-06W	W TO B CONNE	LOADER	
C 531	NCB31CK-104X	C CAPACITOR			CN502	QGB2027L1-26X	B TO B CONNE	SYSTEM	
C 532	NCB31CK-104X	C CAPACITOR			CN503	QGB2027L1-26X	B TO B CONNE	VIDEO	
C 533	NCB31CK-104X	C CAPACITOR			IC101	AN8702FH	IC		
C 534	NCB31CK-104X	C CAPACITOR			IC102	MM3022JN-X	IC		
C 535	NCB31CK-104X	C CAPACITOR			IC201	MN67706ZY	IC		
C 536	NCB31CK-104X	C CAPACITOR			IC251	BA6664FM-X	LSI		
C 539	NCB31CK-104X	C CAPACITOR			IC271	BA5983FM-X	IC		
C 540	NCB31CK-104X	C CAPACITOR			IC301	MN103S13BDA	IC		
C 541	NCB31CK-104X	C CAPACITOR			IC401	MN102L25GGT3	IC		
C 542	NCB31CK-104X	C CAPACITOR			IC403	AK93C65AF-X	IC		
C 543	NCB31CK-104X	C CAPACITOR			IC501	NDV8601VWA-BB	IC		
C 544	NCB31CK-104X	C CAPACITOR			IC505	K4S643232E-TC60	IC		
C 545	NCB31CK-104X	C CAPACITOR			IC509	SST39VF160-9CEK	IC		
C 547	NCB31CK-104X	C CAPACITOR			IC510	AK93C65AF-X	IC		
C 548	NCB31CK-104X	C CAPACITOR			IC511	LM1117MP1.8-X	IC		
C 549	NEA70JM-227X	E CAPACITOR			IC512	74LCX373MTC-X	IC(DIGITAL)		
C 550	NCB31CK-104X	C CAPACITOR			IC513	74LCX373MTC-X	IC(DIGITAL)		
C 551	NEA70JM-227X	E CAPACITOR			IC521	MM74HCT32MTC-X	IC		
C 554	NCB31CK-104X	C CAPACITOR			IC522	74LCX32MTC-X	IC(DIGITAL)		
C 555	NCB31CK-104X	C CAPACITOR			IC523	NC7SZ125P5-X	IC(DIGITAL)		
C 557	NCB31CK-104X	C CAPACITOR			K 102	NQR0007-002X	FERRITE BEADS		
C 558	NCB11CK-105X	C CAPACITOR			K 103	NQR0007-002X	FERRITE BEADS		
C 568	NEA70JM-226X	E CAPACITOR			K 104	NQR0265-003X	FERRITE BEADS		
C 569	NCB31CK-104X	C CAPACITOR			K 201	NQR0007-002X	FERRITE BEADS		
C 571	NEA70JM-226X	E CAPACITOR			K 202	NQR0007-002X	FERRITE BEADS		
C 572	NCB31CK-104X	C CAPACITOR			K 203	NQR0007-002X	FERRITE BEADS		
C 573	NEA70JM-227X	E CAPACITOR			K 301	NQR0007-002X	FERRITE BEADS		
C 578	NCB31CK-104X	C CAPACITOR			K 302	NQR0007-002X	FERRITE BEADS		
C 580	NEA70JM-226X	E CAPACITOR			K 303	NQR0007-002X	FERRITE BEADS		
C 581	NEX50GM-107X	E CAPACITOR			K 402	NQR0007-002X	FERRITE BEADS		
C 582	NEA70JM-226X	E CAPACITOR			K 501	NQR0007-002X	FERRITE BEADS		
C 601	NEA70JM-226X	E CAPACITOR			K 504	NQR0007-002X	FERRITE BEADS		
C 602	NEA70JM-226X	E CAPACITOR			K 505	NQR0007-002X	FERRITE BEADS		
C 619	NCB31CK-104X	C CAPACITOR			K 507	NQR0007-002X	FERRITE BEADS		
C 620	NCB31CK-104X	C CAPACITOR			K 508	NQR0007-002X	FERRITE BEADS		
C 621	NCB31CK-104X	C CAPACITOR			K 509	NQR0007-002X	FERRITE BEADS		
C 901	NEA70JM-226X	E CAPACITOR			K 510	NQR0007-002X	FERRITE BEADS		
C 902	NCB31CK-104X	C CAPACITOR			K 513	NQR0007-002X	FERRITE BEADS		
C 903	NEA70JM-226X	E CAPACITOR			K 519	NQR0007-002X	FERRITE BEADS		
C 904	NCB31CK-104X	C CAPACITOR			K 520	NQR0007-002X	FERRITE BEADS		

■ Electrical parts list (DVD Servo control board)

Block No. 01

△	Item	Parts number	Parts name	Remarks	Area
	K 567	NQR0007-002X	FERRITE BEADS		
	K 569	NQR0007-002X	FERRITE BEADS		
	K 571	NQR0007-002X	FERRITE BEADS		
	K 573	NQR0007-002X	FERRITE BEADS		
	K 577	NQR0007-002X	FERRITE BEADS		
	K 593	NQR0007-002X	FERRITE BEADS		
	K 594	NQR0007-002X	FERRITE BEADS		
	L 501	NQL044K-100X	INDUCTOR		
	L 901	NQL044K-100X	INDUCTOR		
	L 902	NQL044K-100X	INDUCTOR		
	Q 101	KTA1001/Y/-X	TRANSISTOR		
	Q 102	KTA1001/Y/-X	TRANSISTOR		
	Q 501	2SB1424/QR/-X	TRANSISTOR		
	Q 502	2SC2412K/RS/-X	CHIP TRANSISTOR		
	Q 901	KTC4377/C/-X	POW TRANSISTOR		
	R 101	NRSA63J-103X	MG RESISTOR		
	R 102	NRSA63J-333X	MG RESISTOR		
	R 103	NRSA63J-333X	MG RESISTOR		
	R 104	NRS125J-270X	MG RESISTOR		
	R 105	NRS125J-270X	MG RESISTOR		
	R 106	NRSA63J-2R2X	MG RESISTOR		
	R 107	NRSA63J-2R2X	MG RESISTOR		
	R 108	NRSA63J-473X	MG RESISTOR		
	R 110	NRSA63J-273X	MG RESISTOR		
	R 112	NRSA63J-273X	MG RESISTOR		
	R 113	NRSA63J-682X	MG RESISTOR		
	R 114	NRSA63J-102X	MG RESISTOR		
	R 115	NRVA63D-243X	RES. C.M		
	R 116	NRSA63J-683X	MG RESISTOR		
	R 117	NRSA63J-123X	MG RESISTOR		
	R 118	NRSA63J-303X	MG RESISTOR		
	R 121	NRSA63J-0R0X	MG RESISTOR		
	R 122	NRSA63J-0R0X	MG RESISTOR		
	R 123	NRSA63J-0R0X	MG RESISTOR		
	R 124	NRSA63J-0R0X	MG RESISTOR		
	R 127	NRSA63J-222X	MG RESISTOR		
	R 128	NRSA63J-105X	MG RESISTOR		
	R 129	NRSA63J-105X	MG RESISTOR		
	R 131	NRSA63J-822X	MG RESISTOR		
	R 132	NRSA63J-103X	MG RESISTOR		
	R 152	NRS125J-1R0X	MG RESISTOR		
	R 153	NRS125J-4R7X	MG RESISTOR		
	R 155	NRSA63J-0R0X	MG RESISTOR		
	R 166	NRSA63J-182X	MG RESISTOR		
	R 202	NRSA63J-473X	MG RESISTOR		
	R 203	NRSA63J-473X	MG RESISTOR		
	R 204	NRSA63J-473X	MG RESISTOR		
	R 205	NRSA63J-473X	MG RESISTOR		
	R 206	NRS125J-4R7X	MG RESISTOR		
	R 208	NRSA63J-473X	MG RESISTOR		
	R 209	NRSA63J-123X	MG RESISTOR		
	R 210	NRSA63J-473X	MG RESISTOR		
	R 211	NRSA63J-273X	MG RESISTOR		
	R 212	NRSA63J-273X	MG RESISTOR		
	R 213	NRSA63J-562X	MG RESISTOR		
	R 214	NRSA63J-123X	MG RESISTOR		
	R 215	NRSA63J-105X	MG RESISTOR		
	R 218	NRSA63J-153X	MG RESISTOR		
	R 219	NRSA63J-473X	MG RESISTOR		
	R 220	NRSA63J-473X	MG RESISTOR		
	R 223	NRSA63J-473X	MG RESISTOR		
	R 225	NRSA63J-682X	MG RESISTOR		
	R 226	NRSA63J-123X	MG RESISTOR		
	R 227	NRSA63J-102X	MG RESISTOR		
	R 228	NRSA63J-473X	MG RESISTOR		
	R 229	NRSA63J-273X	MG RESISTOR		

△	Item	Parts number	Parts name	Remarks	Area
	R 230	NRSA63J-273X	MG RESISTOR		
	R 231	NRSA63J-0R0X	MG RESISTOR		
	R 232	NRSA63J-472X	MG RESISTOR		
	R 233	NRSA63J-472X	MG RESISTOR		
	R 234	NRSA63J-472X	MG RESISTOR		
	R 235	NRSA63J-0R0X	MG RESISTOR		
	R 236	NRSA63J-0R0X	MG RESISTOR		
	R 237	NRSA63J-221X	MG RESISTOR		
	R 238	NRSA63J-221X	MG RESISTOR		
	R 239	NRSA63J-221X	MG RESISTOR		
	R 240	NRSA63J-221X	MG RESISTOR		
	R 241	NRSA63J-221X	MG RESISTOR		
	R 242	NRSA63J-102X	MG RESISTOR		
	R 243	NRSA63J-102X	MG RESISTOR		
	R 245	NRSA63J-102X	MG RESISTOR		
	R 246	NRSA63J-102X	MG RESISTOR		
	R 248	NRSA63J-473X	MG RESISTOR		
	R 249	NRSA63J-473X	MG RESISTOR		
	R 250	NRSA63J-473X	MG RESISTOR		
	R 251	NRS125J-1R0X	MG RESISTOR		
	R 252	NRSA63J-3R3X	MG RESISTOR		
	R 254	NRSA63J-203X	MG RESISTOR		
	R 255	NRSA63J-103X	MG RESISTOR		
	R 256	NRSA63J-470X	MG RESISTOR		
	R 257	NRS125J-1R0X	MG RESISTOR		
	R 258	NRSA63J-0R0X	MG RESISTOR		
	R 259	NRSA63J-103X	MG RESISTOR		
	R 271	NRSA63J-470X	MG RESISTOR		
	R 272	NRS125J-1R0X	MG RESISTOR		
	R 273	NRSA63J-0R0X	MG RESISTOR		
	R 274	NRSA63J-103X	MG RESISTOR		
	R 275	NRSA63J-103X	MG RESISTOR		
	R 276	NRSA63J-123X	MG RESISTOR		
	R 277	NRSA63J-123X	MG RESISTOR		
	R 278	NRSA63J-103X	MG RESISTOR		
	R 279	NRSA63J-103X	MG RESISTOR		
	R 280	NRSA63J-392X	MG RESISTOR		
	R 281	NRSA63J-392X	MG RESISTOR		
	R 282	NRSA63J-103X	MG RESISTOR		
	R 283	NRSA63J-103X	MG RESISTOR		
	R 284	NRSA63J-103X	MG RESISTOR		
	R 285	NRSA63J-103X	MG RESISTOR		
	R 286	NRSA63J-912X	MG RESISTOR		
	R 288	NRSA63J-0R0X	MG RESISTOR		
	R 289	NRSA63J-752X	MG RESISTOR		
	R 290	NRSA63J-752X	MG RESISTOR		
	R 291	NRSA63J-682X	MG RESISTOR		
	R 292	NRSA63J-103X	MG RESISTOR		
	R 293	NRSA63J-912X	MG RESISTOR		
	R 301	NRSA63J-473X	MG RESISTOR		
	R 302	NRSA63J-473X	MG RESISTOR		
	R 303	NRSA63J-473X	MG RESISTOR		
	R 304	NRSA63J-473X	MG RESISTOR		
	R 305	NRSA63J-473X	MG RESISTOR		
	R 306	NRSA63J-473X	MG RESISTOR		
	R 307	NRSA63J-473X	MG RESISTOR		
	R 308	NRSA63J-473X	MG RESISTOR		
	R 309	NRSA63J-103X	MG RESISTOR		
	R 310	NRSA63J-102X	MG RESISTOR		
	R 311	NRSA63J-102X	MG RESISTOR		
	R 316	NRSA63J-105X	MG RESISTOR		
	R 317	NRSA63J-0R0X	MG RESISTOR		
	R 318	NRSA63J-0R0X	MG RESISTOR		
	R 322	NRSA63J-473X	MG RESISTOR		
	R 324	NRSA63J-473X	MG RESISTOR		
	R 328	NRSA63J-473X	MG RESISTOR		

■ Electrical parts list (DVD Servo control board)

Block No. 01

Item	Parts number	Parts name	Remarks	Area
R 345	NRSA63J-562X	MG RESISTOR		
R 346	NRSA63J-472X	MG RESISTOR		
R 347	NRSA63J-102X	MG RESISTOR		
R 348	NRSA63J-102X	MG RESISTOR		
R 349	NRSA63J-102X	MG RESISTOR		
R 350	NRSA63J-102X	MG RESISTOR		
R 363	NRSA63J-472X	MG RESISTOR		
R 364	NRSA63J-0R0X	MG RESISTOR		
R 403	NRSA63J-472X	MG RESISTOR		
R 408	NRSA63J-472X	MG RESISTOR		
R 411	NRSA63J-472X	MG RESISTOR		
R 412	NRSA63J-472X	MG RESISTOR		
R 413	NRSA63J-472X	MG RESISTOR		
R 414	NRSA63J-472X	MG RESISTOR		
R 415	NRSA63J-472X	MG RESISTOR		
R 416	NRSA63J-472X	MG RESISTOR		
R 417	NRSA63J-472X	MG RESISTOR		
R 418	NRSA63J-472X	MG RESISTOR		
R 421	NRSA63J-0R0X	MG RESISTOR		UB
R 422	NRSA63J-0R0X	MG RESISTOR		UB,US
R 423	NRSA63J-0R0X	MG RESISTOR		
R 424	NRSA63J-0R0X	MG RESISTOR		UF
R 434	NRSA63J-332X	MG RESISTOR		
R 512	NRSA63J-332X	MG RESISTOR		
R 521	NRSA63J-103X	MG RESISTOR		
R 531	NRSA63J-562X	MG RESISTOR		
R 532	NRSA63J-392X	MG RESISTOR		
R 533	NRSA63J-102X	MG RESISTOR		
R 534	NRSA63J-561X	MG RESISTOR		
R 535	NRSA63J-333X	MG RESISTOR		
R 536	NRSA63J-102X	MG RESISTOR		
R 541	NRSA63J-0R0X	MG RESISTOR		
R 543	NRSA63J-0R0X	MG RESISTOR		
R 544	NRSA63J-471X	MG RESISTOR		
R 545	NRSA63J-471X	MG RESISTOR		
R 546	NRSA63J-471X	MG RESISTOR		
R 547	NRSA63J-0R0X	MG RESISTOR		
R 550	NRSA63J-471X	MG RESISTOR		
R 551	NRSA63J-0R0X	MG RESISTOR		
R 552	NRSA63J-0R0X	MG RESISTOR		
R 553	NRSA63J-0R0X	MG RESISTOR		
R 565	NRVA63D-622X	CMF RESISTOR		
R 566	NRVA63D-132X	MG.RESI C.M		
R 567	NRVA63D-101X	RES. C.M		
R 568	NRVA63D-750X	RES. C.M		
R 569	NRVA63D-820X	RES. C.M		
R 570	NRSA63J-100X	MG RESISTOR		
R 572	NRVA63D-820X	RES. C.M		
R 573	NRSA63J-162X	MG RESISTOR		
R 574	NRSA63J-162X	MG RESISTOR		
R 575	NRSA63J-471X	MG RESISTOR		
R 576	NRSA63J-471X	MG RESISTOR		
R 578	NRSA63J-471X	MG RESISTOR		
R 583	NRSA63J-471X	MG RESISTOR		
R 584	NRSA63J-332X	MG RESISTOR		
R 586	NRSA02J-0R0X	MG RESISTOR		
R 587	NRSA02J-0R0X	MG RESISTOR		
R 608	NRSA63J-103X	MG RESISTOR		
R 655	NRSA63J-0R0X	MG RESISTOR		
R 701	NRSA63J-0R0X	MG RESISTOR		
R 702	NRSA63J-0R0X	MG RESISTOR		
R 703	NRSA63J-0R0X	MG RESISTOR		
R 704	NRSA63J-0R0X	MG RESISTOR		
R 705	NRSA63J-0R0X	MG RESISTOR		
R 706	NRSA63J-0R0X	MG RESISTOR		
R 707	NRSA63J-0R0X	MG RESISTOR		

Item	Parts number	Parts name	Remarks	Area
R 708	NRSA63J-0R0X	MG RESISTOR		
R 709	NRSA63J-0R0X	MG RESISTOR		
R 710	NRSA63J-0R0X	MG RESISTOR		
R 711	NRSA63J-0R0X	MG RESISTOR		
R 712	NRSA63J-0R0X	MG RESISTOR		
R 733	NRSA63J-0R0X	MG RESISTOR		
R 734	NRSA63J-0R0X	MG RESISTOR		
R 737	NRSA63J-0R0X	MG RESISTOR		
R 738	NRSA63J-152X	MG RESISTOR		
R 739	NRSA63J-0R0X	MG RESISTOR		
R 740	NRSA63J-0R0X	MG RESISTOR		
R 901	NRSA63J-100X	MG RESISTOR		
R 991	NRSA63J-220X	MG RESISTOR		
R 995	NRSA63J-223X	MG RESISTOR		
R 996	NRSA63J-0R0X	MG RESISTOR		
X 301	NAX0375-001X	CRYSTAL	16.9344MHZ	
X 401	NAX0291-001X	C OSCILLATOR		
X 501	NAX0481-001X	CRYSTAL		

■ Electrical parts list (Main board)

Block No. 02

△	Item	Parts number	Parts name	Remarks	Area
	BK 1	LE20539-001A	FL HOLDER		
	C 1	QEKC1HM-475Z	E.CAPACITOR	4.7MF 20% 50V	
	C 2	QEKC1HM-475Z	E.CAPACITOR	4.7MF 20% 50V	
	C 3	NCB31CK-104X	C CAPACITOR		
	C 4	QEKC1AM-476Z	E.CAPACITOR	47MF 20% 10V	
	C 5	QETN0JM-108Z	E CAPACITOR	1000MF 20% 6.3V	
	C 6	NCB31CK-104X	C CAPACITOR		
	C 7	NCB31CK-103X	C CAPACITOR		
	C 8	QETN1HM-105Z	E CAPACITOR	1.0MF 20% 50V	
	C 9	NCS31HJ-331X	C.CAPA. C.M		
	C 21	NCS31HJ-300X	C CAPACITOR		
	C 22	NCS31HJ-300X	C CAPACITOR		
	C 111	QETN1AM-107Z	E CAPACITOR	100MF 20% 10V	
	C 700	QETN0JM-227Z	E CAPACITOR	220MF 20% 6.3V	
	C 703	QETN1AM-227Z	E CAPACITOR	220MF 20% 10V	
	C 707	QETN0JM-107Z	E CAPACITOR	100MF 20% 6.3V	
	C 711	QCZ0202-155Z	ML C CAPA I/M	1.5MF	
	C 713	NCS31HJ-471X	C CAPACITOR		
	C 714	QETN0JM-108Z	E CAPACITOR	1000MF 20% 6.3V	
	C 715	QCZ0202-155Z	ML C CAPA I/M	1.5MF	
	C 716	QETN0JM-108Z	E CAPACITOR	1000MF 20% 6.3V	
	C 717	QCZ0202-155Z	ML C CAPA I/M	1.5MF	
	C 721	QCZ0202-155Z	ML C CAPA I/M	1.5MF	
	C 730	QFV21HJ-224Z	MF CAPACITOR	.22MF 5% 50V	
	C 731	QFN31HJ-103Z	M CAPACITOR	.010MF 5% 50V	
	C 735	NCB31CK-104X	C CAPACITOR		
	C 740	QFN31HJ-102Z	M CAPACITOR	1000PF 5% 50V	
	C 741	QFP31HJ-221Z	PP CAPACITOR	220PF 5% 50V	
	C 742	QFN31HJ-332Z	M CAPACITOR	3300PF 5% 50V	
	C 744	QFN31HJ-681Z	M.CAPA. I.M	680PF 5% 50V	
	C 745	QFN31HJ-103Z	M CAPACITOR	.010MF 5% 50V	
	C 746	QETN1EM-226Z	E CAPACITOR	22MF 20% 25V	
	C 747	QFN31HJ-222Z	M CAPACITOR	2200PF 5% 50V	
	C 748	QFN31HJ-681Z	M.CAPA. I.M	680PF 5% 50V	
	C 749	QFN31HJ-681Z	M.CAPA. I.M	680PF 5% 50V	
	C 750	QFN31HJ-102Z	M CAPACITOR	1000PF 5% 50V	
	C 751	QFP31HJ-221Z	PP CAPACITOR	220PF 5% 50V	
	C 752	QFN31HJ-332Z	M CAPACITOR	3300PF 5% 50V	
	C 754	QFN31HJ-681Z	M.CAPA. I.M	680PF 5% 50V	
	C 755	QFN31HJ-103Z	M CAPACITOR	.010MF 5% 50V	
	C 756	QETN1EM-226Z	E CAPACITOR	22MF 20% 25V	
	C 757	QFN31HJ-222Z	M CAPACITOR	2200PF 5% 50V	
	C 761	QETN1CM-107Z	E CAPACITOR	100MF 20% 16V	
	C 762	QETN1CM-107Z	E CAPACITOR	100MF 20% 16V	
	C 771	QETN1CM-107Z	E CAPACITOR	100MF 20% 16V	
	C 772	QETN1CM-107Z	E CAPACITOR	100MF 20% 16V	
	C 797	NCB31HK-152X	C CAPACITOR		
	C 801	QETN1AM-107Z	E CAPACITOR	100MF 20% 10V	
	C 802	NCB31CK-104X	C CAPACITOR		
	C 803	NCB31CK-104X	C CAPACITOR		
	C 806	QETN0JM-477Z	E CAPACITOR	470MF 20% 6.3V	
	C 807	QETN0JM-477Z	E CAPACITOR	470MF 20% 6.3V	
	C 808	QETN0JM-477Z	E CAPACITOR	470MF 20% 6.3V	
	C 809	QETN0JM-477Z	E CAPACITOR	470MF 20% 6.3V	
	C 810	QETN0JM-477Z	E CAPACITOR	470MF 20% 6.3V	
	C 811	NCB31CK-104X	C CAPACITOR		
	C 818	QETN1HM-475Z	E CAPACITOR	4.7MF 20% 50V	
	C 819	NCB31CK-104X	C CAPACITOR		
△	C 902	QFZ9075-683	M CAPACITOR	.068MF	
△	C 903	QFZ9075-683	M CAPACITOR	.068MF	
△	C 905	QCZ9079-102	C CAPACITOR	1000PF	
△	C 906	QCZ9079-102	C CAPACITOR	1000PF	
△	C 907	QEZO522-127	E.CAPACITOR	U/A	
	C 908	NZZ000000000500	C CAPACITOR		
	C 909	NZZ000000000499	C CAPACITOR		
	C 910	NCS31HJ-221X	C.CAPA. C.M		

△	Item	Parts number	Parts name	Remarks	Area
	C 913	NZZ000000000499	C CAPACITOR		
	C 914	QEZO532-396Z	E CAPACITOR	39MF	
	C 915	NCB31HK-471X	C CAPACITOR		
	C 918	QCFB1HZ-104Y	C CAPACITOR	.10MF +80-20%	
	C 960	QEZO529-826Z	E CAPACITOR	82MF	
	C 961	NCB31CK-104X	C CAPACITOR		
	C 962	QETN1HM-226Z	E CAPACITOR	22MF 20% 50V	
	C 963	QEZO533-396Z	E CAPACITOR	39MF	
	C 964	NCB31CK-104X	C CAPACITOR		
	C 965	QEZO528-108	E CAPACITOR	1000MF	
	C 966	QETN1AM-477Z	E CAPACITOR	470MF 20% 10V	
	C 967	NCB31CK-104X	C CAPACITOR		
	C 968	NCB31CK-104X	C CAPACITOR		
	C 969	QETN1AM-227Z	E CAPACITOR	220MF 20% 10V	
	C 970	NCB31CK-104X	C CAPACITOR		
	C 973	QETN1AM-107Z	E CAPACITOR	100MF 20% 10V	
	C 978	QETN1AM-107Z	E CAPACITOR	100MF 20% 10V	
	C 979	QEZO530-827	E CAPACITOR	820MF	
	C 981	NCB31CK-104X	C CAPACITOR		
	C 982	QEZO532-187Z	E CAPACITOR	180MF	
	C 984	QETN1EM-107Z	E CAPACITOR	100MF 20% 25V	
	C 987	QEZO532-187Z	E CAPACITOR	180MF	
	C 989	QETN1EM-107Z	E CAPACITOR	100MF 20% 25V	
	C 992	QETN1HM-474Z	E CAPACITOR	.47MF 20% 50V	
	C 993	NCS31HJ-101X	C.CAPA. C.M		
	C 995	NCB31CK-104X	C CAPACITOR		
	C 997	QETN1CM-227Z	E CAPACITOR	220MF 20% 16V	
	C1701	QETN1EM-476Z	E CAPACITOR	47MF 20% 25V	
	C1702	QETN1EM-476Z	E CAPACITOR	47MF 20% 25V	
	C1703	NCS31HJ-151X	C CAPACITOR		
	C1704	NCS31HJ-221X	C.CAPA. C.M		
	C1706	NCB31CK-223X	C CAPACITOR		
	CN 3	QGD2501C1-03Z	SOCKET		
	CN512	QGB2027M8-26	B TO B CONNECTO		
	CN513	QGB2027M8-26	B TO B CONNECTO		
△	CP951	ICP-N10-T	ICP		
	D 1	SPR-325MVWL/-T	LED	STANDBY	
	D 2	SPR-325MVWL/-T	LED	PROGRESSIVE	
	D 4	1SS355-X	DIODE C.M		
	D 9	1SS355-X	DIODE C.M		
	D 702	MTZJ3.3B-T2	ZENER DIODE IM		
△	D 901	S1WB/A/60-4101	BRIDGE DIODE		
△	D 902	F1T4-T2	FR DIODE		
△	D 903	F1T4-T2	FR DIODE		
△	D 904	F1T4-T2	FR DIODE		
△	D 908	F1T4-T2	FR DIODE		
△	D 910	F1T4-T2	FR DIODE		
	D 911	1SS355-X	DIODE C.M		
△	D 950	F1T4-T2	FR DIODE		
△	D 951	F1T4-T2	FR DIODE		
△	D 952	F1T4-T2	FR DIODE		
△	D 953	FMB-24	FUSEIODE		
△	D 954	F1T4-T2	FR DIODE		
△	D 956	F1T4-T2	FR DIODE		
△	D 957	F1T4-T2	FR DIODE		
	D 960	MTZJ4.7B-T2	Z DIODE I M		
	D 991	MTZJ5.1C-T2	ZENER DIODE		
	DI 1	QLF0090-001	FL TUBE		
	EP901	QNZ0136-001Z	EARTH PLATE		
	FC901	QNG0003-001Z	FUSE CLIP		
	FC902	QNG0003-001Z	FUSE CLIP		
	FW 1	QUM104-11Z4Z4	PARA RIBON WIRE		
	FW 2	QUM109-11DGZ4	PARA RIBON WIRE	TO CN2	
	FW 3	QUM103-11DGZ4	PARA RIBON WIRE	TO CN3	
	HS901	E70306-002	HEAT SINK		
	HS952	LV41785-001A	HEAT SINK		

■ Electrical parts list (Main board)

Block No. 02

Item	Parts number	Parts name	Remarks	Area	Item	Parts number	Parts name	Remarks	Area
IC 1	GP1U271X	RM RECIVER			R 23	NRSA63J-222X	MG RESISTOR		
IC 2	UPD780232GC-057	MASK	SYSTEM MICOM		R 705	NRSA63J-105X	MG RESISTOR		
IC 3	PST574CMT-X	IC			R 706	NRSA63J-104X	MG RESISTOR		
IC703	MN35505-X	IC C M			R 708	NRSA63J-101X	MG RESISTOR		
IC704	TC7SH08F-X	IC C.M			R 711	QRE141J-100Y	C RESISTOR	10 5% 1/4W	
IC741	NJM4580M-X	IC			R 712	QRE141J-100Y	C RESISTOR	10 5% 1/4W	
IC751	NJM4580M-X	IC			R 713	QRE141J-470Y	C RESISTOR	47 5% 1/4W	
IC801	BA7660FS-X	V.BUFFER			R 715	QRE141J-470Y	C RESISTOR	47 5% 1/4W	
IC802	BA7665FS-X	V.BUFFER			R 721	NRSA63J-471X	MG RESISTOR		
IC901	STR-G6651	IC			R 723	NRSA63J-471X	MG RESISTOR		
IC951	PQ05RD21	IC			R 724	NRSA63J-471X	MG RESISTOR		
IC952	SI-3033C	IC			R 725	NRSA63J-471X	MG RESISTOR		
J 700	QNN0432-001	OPT TRANSMITTER	AUDIO L/R		R 726	QRE141J-220Y	C RESISTOR	22 5% 1/4W	
J 701	QNN0347-001	PIN JACK	COAXIAL		R 728	NRSA63J-471X	MG RESISTOR		
J 702	QNS0089-001	3.5 JACK	AV COMPULINK		R 729	NRSA63J-471X	MG RESISTOR		
J 703	QNZ0487-001	OPT TRANSMITTER	OPT DIGITAL OUT		R 731	QRE141J-332Y	C RESISTOR	3.3K 5% 1/4W	
J 801	QNN0430-001	PIN JACK	COMPONENT		R 740	QRE141J-273Y	C RESISTOR	27K 5% 1/4W	
J 802	QNN0434-001	PIN JACK	S/COMP.		R 741	QRE141J-273Y	C RESISTOR	27K 5% 1/4W	
JT102	QGD2501C1-05Z	SOCKET I.M	CN2		R 742	QRA14CF-1802Y	M.F.RESISTOR	18 1/4W	
JT202	QGD2501C1-04Z	SOCKET	CN2		R 743	QRA14CF-1802Y	M.F.RESISTOR	18 1/4W	
K 701	NQR0227-004X	FERRITE BEADS			R 744	NRSA63J-362X	MG RESISTOR		
K 703	NQR0227-004X	FERRITE BEADS			R 746	QRA14CF-3301Y	MF.RES IM	33 1/4W	
K 704	NQR0227-004X	FERRITE BEADS			R 747	NRSA63J-362X	MG RESISTOR		
K 705	NQR0227-004X	FERRITE BEADS			R 748	QRE141J-112Y	C RESISTOR	1.1K 5% 1/4W	
K 706	NQR0227-004X	FERRITE BEADS			R 750	QRE141J-273Y	C RESISTOR	27K 5% 1/4W	
K 801	QQR0601-001Z	FERRITE BEADS			R 751	QRE141J-273Y	C RESISTOR	27K 5% 1/4W	
K 902	QQR1183-001Z	F.BEADS I.M			R 752	QRA14CF-1802Y	M.F.RESISTOR	18 1/4W	
L 709	QQL231K-2R2Y	INDUCTOR I.M			R 753	QRA14CF-1802Y	M.F.RESISTOR	18 1/4W	
L 801	QQR1089-001	LPF			R 754	NRSA63J-362X	MG RESISTOR		
L 802	QQR1088-001	LPF			R 756	QRA14CF-3301Y	MF.RES IM	33 1/4W	
L 803	QQR1088-001	LPF			R 757	NRSA63J-362X	MG RESISTOR		
L 804	QQR1088-001	LPF			R 758	QRE141J-112Y	C RESISTOR	1.1K 5% 1/4W	
L 901	QQR1105-001	LINE FILTER			R 761	QRE141J-112Y	C RESISTOR	1.1K 5% 1/4W	
L 952	QQL26AK-220Z	INDUCTOR			R 762	QRE141J-152Y	C RESISTOR	1.5K 5% 1/4W	
L 955	QQL26AK-220Z	INDUCTOR			R 763	NRSA63J-362X	MG RESISTOR		
L 957	QQL244K-100Z	INDUCTOR			R 764	QRE141J-183Y	C RESISTOR	18K 5% 1/4W	
L 959	QQL244K-100Z	INDUCTOR			R 765	QRE141J-561Y	C RESISTOR	560 5% 1/4W	
P 901	QNC0081-001	AC INLET	NO POLARITY		R 766	QRE141J-273Y	C RESISTOR	27K 5% 1/4W	
PC901	PC123Y02	IC(PHOTO COUPLE			R 767	QRE141J-101Y	C RESISTOR	100 5% 1/4W	
PC902	PC123Y02	IC(PHOTO COUPLE			R 768	NRSA63J-103X	MG RESISTOR		
Q 2	KRC107S-X	DIGITAL.TR			R 771	QRE141J-112Y	C RESISTOR	1.1K 5% 1/4W	
Q 4	DTC144WKA-X	TRANSISTOR			R 772	QRE141J-152Y	C RESISTOR	1.5K 5% 1/4W	
Q 5	KRA102S-X	DIGITAL.TR			R 773	NRSA63J-362X	MG RESISTOR		
Q 743	2SD2144S/VW/-T	TRANSISTOR	AMUTE1		R 774	QRE141J-183Y	C RESISTOR	18K 5% 1/4W	
Q 753	2SD2144S/VW/-T	TRANSISTOR	AMUTE1		R 775	QRE141J-561Y	C RESISTOR	560 5% 1/4W	
Q 791	2SC2412K/RS/-X	CHIP TRANSISTOR			R 776	QRE141J-273Y	C RESISTOR	27K 5% 1/4W	
Q 951	KTD863Y/-T	TRANSISTOR			R 777	QRE141J-101Y	C RESISTOR	100 5% 1/4W	
Q 952	KRA104S-X	DIGITAL.TR			R 778	NRSA63J-103X	MG RESISTOR		
Q 991	KTC3199Y/-T	TR I/M			R 782	QRE141J-221Y	C RESISTOR	220 5% 1/4W	
R 3	NRSA63J-431X	MG RESISTOR			R 783	QRE141J-221Y	C RESISTOR	220 5% 1/4W	
R 4	NRSA63J-431X	MG RESISTOR			R 789	NRSA63J-103X	MG RESISTOR		
R 5	NRSA63J-561X	MG RESISTOR			R 792	QRE141J-221Y	C RESISTOR	220 5% 1/4W	
R 6	NRSA63J-431X	MG RESISTOR			R 793	QRE141J-221Y	C RESISTOR	220 5% 1/4W	
R 7	NRSA63J-222X	MG RESISTOR			R 794	NRSA63J-103X	MG RESISTOR		
R 8	NRSA63J-681X	MG RESISTOR			R 795	NRSA63J-103X	MG RESISTOR		
R 9	NRSA63J-681X	MG RESISTOR			R 796	NRSA63J-103X	MG RESISTOR		
R 12	NRSA63J-391X	MG RESISTOR			R 797	QRE141J-473Y	C RESISTOR	47K 5% 1/4W	
R 13	NRSA63J-391X	MG RESISTOR			R 799	NRSA63J-333X	MG RESISTOR		
R 14	NRSA63J-201X	MG RESISTOR			R 801	NRSA63J-750X	MG RESISTOR		
R 15	NRSA63J-201X	MG RESISTOR			R 802	NRSA63J-750X	MG RESISTOR		
R 16	NRSA63J-222X	MG RESISTOR			R 803	NRSA63J-750X	MG RESISTOR		
R 18	NRSA63J-102X	MG RESISTOR			R 804	NRSA63J-750X	MG RESISTOR		
R 19	NRSA63J-472X	MG RESISTOR			R 805	NRSA63J-750X	MG RESISTOR		
R 20	NRSA63J-102X	MG RESISTOR			R 808	NRSA63J-750X	MG RESISTOR		
R 21	NRSA63J-103X	MG RESISTOR			R 831	NRSA63J-102X	MG RESISTOR		
R 22	NRSA63J-103X	MG RESISTOR			R 833	NRSA63J-750X	MG RESISTOR		

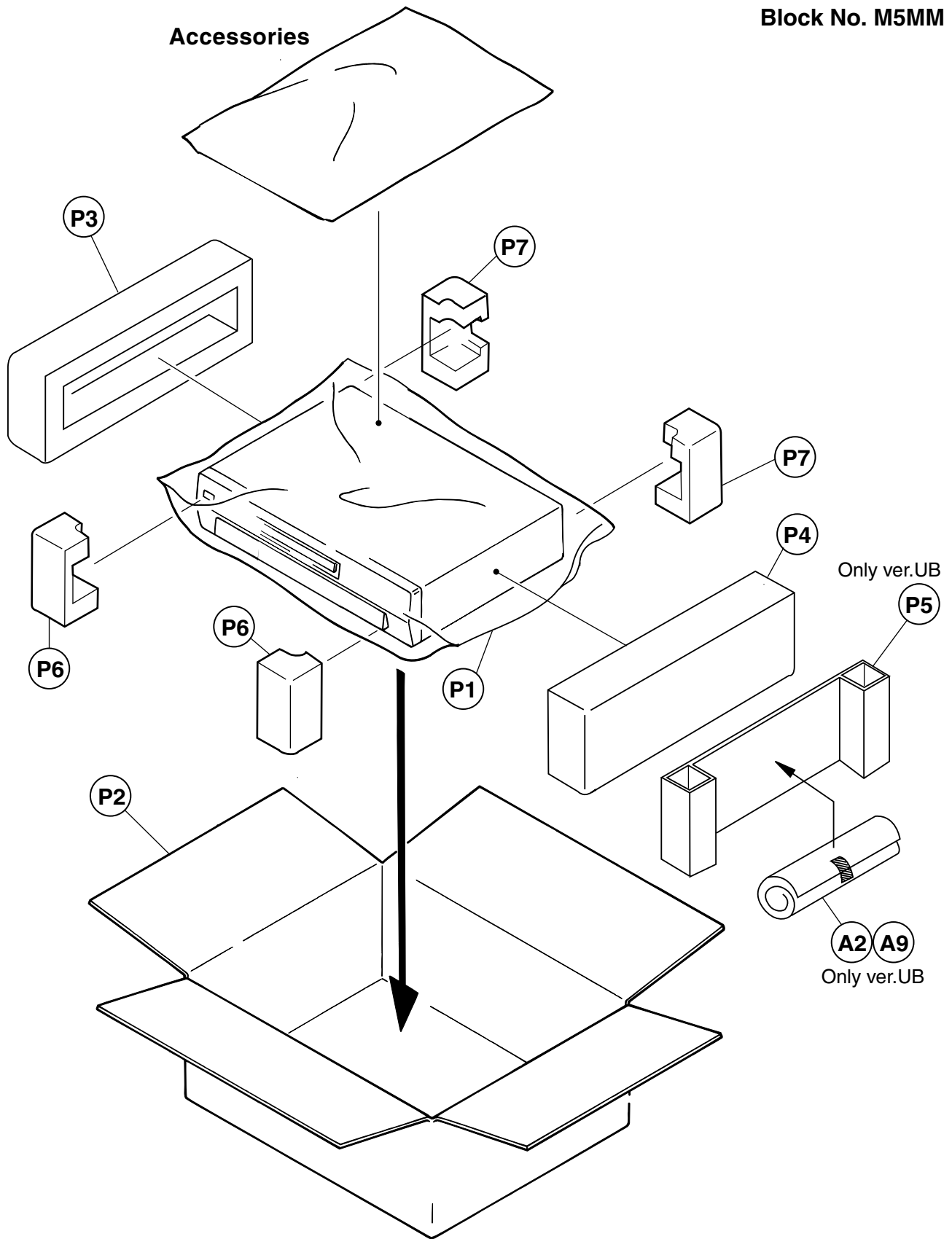
■ Electrical parts list (Main board)

Block No. 02

△	Item	Parts number	Parts name	Remarks	Area
	R 834	NRSA63J-102X	MG RESISTOR		
	R 835	NRSA63J-750X	MG RESISTOR		
	R 836	NRSA63J-102X	MG RESISTOR		
	R 837	NRSA63J-750X	MG RESISTOR		
	R 838	NRSA63J-102X	MG RESISTOR		
	R 839	NRSA63J-750X	MG RESISTOR		
	R 840	NRSA63J-103X	MG RESISTOR		
	R 900	NRSA63J-221X	MG RESISTOR		
	R 901	QRL01DJ-683X	OMF RESISTOR	68K 5% 1/1W	
	R 903	QRE141J-330Y	C RESISTOR	33 5% 1/4W	
	R 904	QRE141J-222Y	C RESISTOR	2.2K 5% 1/4W	
	R 905	QRL027J-683	OMF RESISTOR	68K 5% 1/2W	
	R 906	QRE141J-681Y	C RESISTOR	680 5% 1/4W	
	R 907	QRT022J-R47	OMF RESISTOR	5% 1/2W	
	R 908	QRE141J-332Y	C RESISTOR	3.3K 5% 1/4W	
	R 910	QRE141J-754Y	C RESISTOR	750K 5% 1/4W	
	R 911	QRE141J-754Y	C RESISTOR	750K 5% 1/4W	
	R 920	QRZ9044-335	COMP.RESISTOR	3.3M 1/0W	
	R 952	NRSA63J-103X	MG RESISTOR		
	R 953	NRSA63J-103X	MG RESISTOR		
	R 955	NRSA63J-223X	MG RESISTOR		
	R 956	QRE141J-120Y	C RESISTOR	12 5% 1/4W	
	R 960	NRSA63J-101X	MG RESISTOR		
	R 961	NRSA63J-681X	MG RESISTOR		
	R 963	NRSA63J-101X	MG RESISTOR		
	R 965	NRSA63J-103X	MG RESISTOR		
	R 969	NRSA63J-221X	MG RESISTOR		
	R 992	QRZ9005-100X	F.RES I/M	10 1/0W	
	R1500	QRA14CF-1802Y	M.F.RESISTOR	18 1/4W	
	R1501	QRA14CF-1802Y	M.F.RESISTOR	18 1/4W	
	R1721	QRE141J-331Y	C RESISTOR	330 5% 1/4W	
	R1722	NRSA63J-750X	MG RESISTOR		
	R1723	NRSA63J-270X	MG RESISTOR		
	R1724	NRSA63J-101X	MG RESISTOR		
	S 1	QSW0651-001Z	TACT SWITCH		
	S 2	QSW0651-001Z	TACT SWITCH		
	S 3	QSW0651-001Z	TACT SWITCH		
	S 4	QSW0651-001Z	TACT SWITCH		
	S 5	QSW0651-001Z	TACT SWITCH		
	S 6	QSW0651-001Z	TACT SWITCH		
	S 7	QSW0651-001Z	TACT SWITCH		
	S 801	QSW0454-001	SW	PAL/NT	
△	T 901	QQS0100-001	SW TRANSF		
	T1701	QQR1185-001	PULSE TRANS		
	X 1	NAX0477-001X	RESONATOR I.M		

Packing materials and accessories parts list

Block No. M4MM
Block No. M5MM



■ Packing list

Block No. M4MM

△	Item	Parts number	Parts name	Q'ty	Description	Area
	P 1	QPC06005515P	POLY BAG	1	FOR MAIN BODY	
	P 2	LE30945-045A	PACKING CASE	1		UB
		LE30945-026A	PACKING CASE	1		UF
		LE30945-028A	PACKING CASE	1		US
	P 3	LE20609-001A	PACKING PAD(LEFT)	1		UB,US
	P 4	LE20610-001A	PACKING PAD(RIGHT)	1		UB,US
	P 5	LE30920-002A	SHEET ASSY	1		UB
	P 6	LE20562-001A	PACKING PAD(FRONT)	1		UF
	P 7	LE20563-001A	PACKING PAD(REAR)	1		UF

■ Accessories list

Block No. M5MM

△	Item	Parts number	Parts name	Q'ty	Description	Area
	A 1	LET0184-014C	INST BOOK	1		UB,US
		LET0184-021A	INST BOOK	1		UB,US
		LET0184-019C	INST BOOK	1		UF
△	A 2	QMPP060-183-JD	POWER CORD	1		UB
△		QMPS020-183-JC	POWER CORD	1		UF
△		QMP39F0-183E	POWER CORD	1		US
△	A 3	QAM0112-001	AC PLUG ADAPTER	1		US
	A 4	QAM0328-001	AV CORD 3P	1		
	A 5	QAM0327-001	S-VIDEO CORD	1		
	A 6	RM-SXVS62U	REMOCON UNIT	1		
	A 7	-----	BATTERY	2		
	A 8	QPC02504015P	POLY BAG	1	FOR ACCESSORIES	
	A 9	QPC02503510P	POLY BAG	1	FOR POWER CORD	UB
	A 10	LV30258-081A	UB SHEET	1		UB
	A 11	BT-59009-1	SVC CENTER LIST	1		UF
	A 12	BT-59007-2	WARRANTY CARD	1		UF
	A 13	E310162-001	CERTIFICATE TAG	1		UF